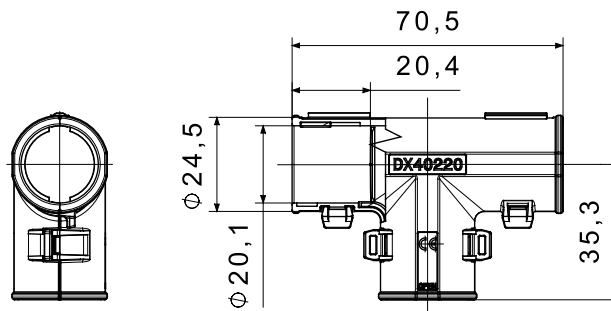


Routing components for rigid protective conduits with IP40 and IP67 protection degree.

GENERAL INFORMATION		- MECHANICAL AND FUNCTIONAL CHARACTERISTICS	
Standard	EN 61386-1 (when applicable)	Conduits Ø (mm)	20
Type	Rigid conduit accessories	Operating temperature	-5 +60 °C
Description	Inspectable T	IP degree	IP40
Type of material	Halogen free in compliance with EN 50642	Glow Wire Test	750 °C
Colour	Grey RAL 7035		

### DIMENSIONAL



### TECHNICAL SYMBOLOGY



### STANDARDS/APPROVALS

